

Performer SH120A4ALB

Specifications

Merk	Performer
Type	SH120A4ALB
Koudemiddel	Freon
Refrigerant type	R410 A or other types
kW at +10°C/+40°C	36,6
kW at 0°C/+40°C	25,7
kW at -5°C/+40°C	21,2
kW at -10°C/+40°C	17,4
kW at -20°C/+40°C	11,2
Opmerkingen	# // y.o.b. 2009
Afmetingen	400x300x550 mm (LxWxH)
Stock	1



Description

Used Performer SH120A4ALB

Gebruikte Performer SH120A4ALB freon scroll compressor. Deze unit heeft een koelcapaciteit van 36,6 kW bij +10°C/+40°C.



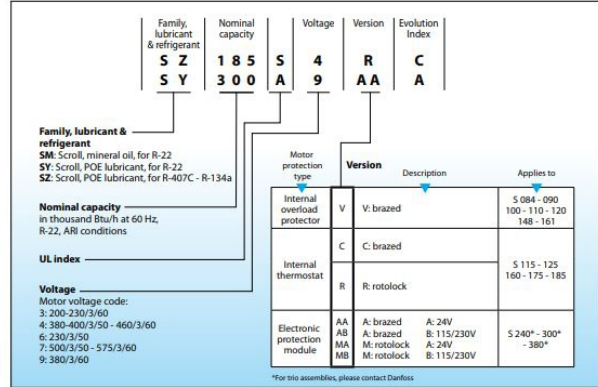


COMPRESSOR MODEL DESIGNATION

Performer® scroll compressors are available both as single compressors and as tandem units. The example below presents single compressor nomenclature.

For tandem assemblies, please refer to the Performer® Parallel Application Guidelines documentation.

Nomenclature



Connection details

Model	SM/SZ 084 - 090 - 100 110 - 120 - 148 - 161	SM/SZ 115 - 125 - 160 - 175 - 185		SY/SZ 240 - 300		SY/SZ 380
	Version	V	R	C	MA MB	AA AB
Suction and discharge connection	brazed	rotolock	brazed	rotolock	brazed	brazed
Oil sight glass	threaded	threaded	threaded	threaded	threaded	threaded
Oil equalization connection	3/8" flare	3/8" flare	3/8" flare	1/2" flare	1/2" flare	1/2" flare
Oil drain connection	-	1/4" NPT	1/4" NPT	1/4" NPT	1/4" NPT	1/4" NPT
Low pressure gauge port (schraeder)	1/4" flare	1/4" flare	1/4" flare	1/4" flare	1/4" flare	1/4" flare